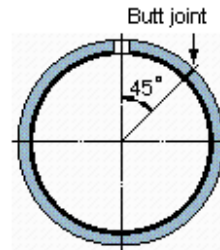
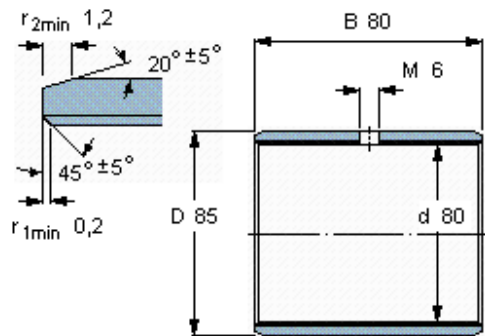


Composite dry sliding bushings, metric dimensions

Principal dimensions			Basic load ratings		Mass	Designation
d	D	B	dynamic C	static C0		
mm			kN		kg	-
80	85	80	750	1560	0,36	PCM 808580 M



Specific load factor K 120
Material constant K_M 1900